

DRIVE COMPONENTS (PULLEYS AND BELTS)—CONTINUED

Table 16. Drive Components—Energy-Efficient (EE) Premium Motors												
Motor				Motor Pulley			Blower Pulley			Belt	Serial No. Code	
HP	Option AL/EL/SL	Voltage Option (Voltage)	Drive Option AM (Refer to Table 13)	PN	Model	Bore Size (Inches)	PN	Model	Bore Size (Inches)	PN (Quantity)		
7.5, 10	41, 42 cabinet C only <i>before</i> JUL 2012	AK5 (208/3), AK6 (230/3), AK7 (460/3), AK8 (575/3)	13, 14, 15, 16	164294	1VP71	1-3/8	208756	BK105H	1-3/16	92242 (BX70)*	XK	
			17, 18, 19, 20	164294	1VP71		162836	BK90H	1-3/16	92240 (BX66)*	YK	
			21, 22, 23, 24	164294	1VP71		112026	BK75H	1-3/16	114258 (BX64)*	ZK	
			25, 26, 27, 28	164294	1VP71		208791	BK70H	1-3/16	92278 (BX63)*	AL	
	13, 14, 15, 16		164294	1VP71	208756		BK105H	1-7/16	92242 (BX70)*	AT		
	17, 18, 19, 20		164294	1VP71	162836		BK90H	1-7/16	92240 (BX66)*	AU		
	21, 22, 23, 24		164294	1VP71	112026		BK75H	1-7/16	114258 (BX64)*	AV		
	25, 26, 27, 28		164294	1VP71	208791		BK70H	1-7/16	92278 (BX63)*	AX		
	13, 14, 15, 16		164294	1VP71	208756		BK105H	1-7/16	223420 (BX88)*	DM		
	17, 18, 19, 20		164294	1VP71	162836		BK90H	1-7/16	223419 (BX86)*	EM		
	21, 22, 23, 24		164294	1VP71	112026		BK75H	1-7/16	92333 (BX83)*	FM		
	25, 26, 27, 28		164294	1VP71	208791		BK70H	1-7/16	92333 (BX83)*	GM		
	15, 20	43, 44 cabinet D only 32" CL	AK5 (208/3), AK6 (230/3), AK7 (460/3), AK8 (575/3)	14, 15, 16, 17	113809	2VP71	1-5/8	89649	2BK100H	1-7/16	223420 (2) (BX88)*	HM
				18, 19, 20	113809	2VP71		113804	2BK90H	1-7/16	223419 (2) (BX86)*	IM
				21, 22, 23, 24, 25	113808	2VP75		89648	2BK80H	1-7/16	92317 (2) (BX85)*	LM
				26, 27, 28, 29, 30	113808	2VP75		110810	2BK70H	1-7/16	92333 (2) (BX83)*	JM

*BX code designates belt model (BX) plus size.

MOTOR-MOUNTING, BLOWER, AND PLENUM FAN COMPONENTS

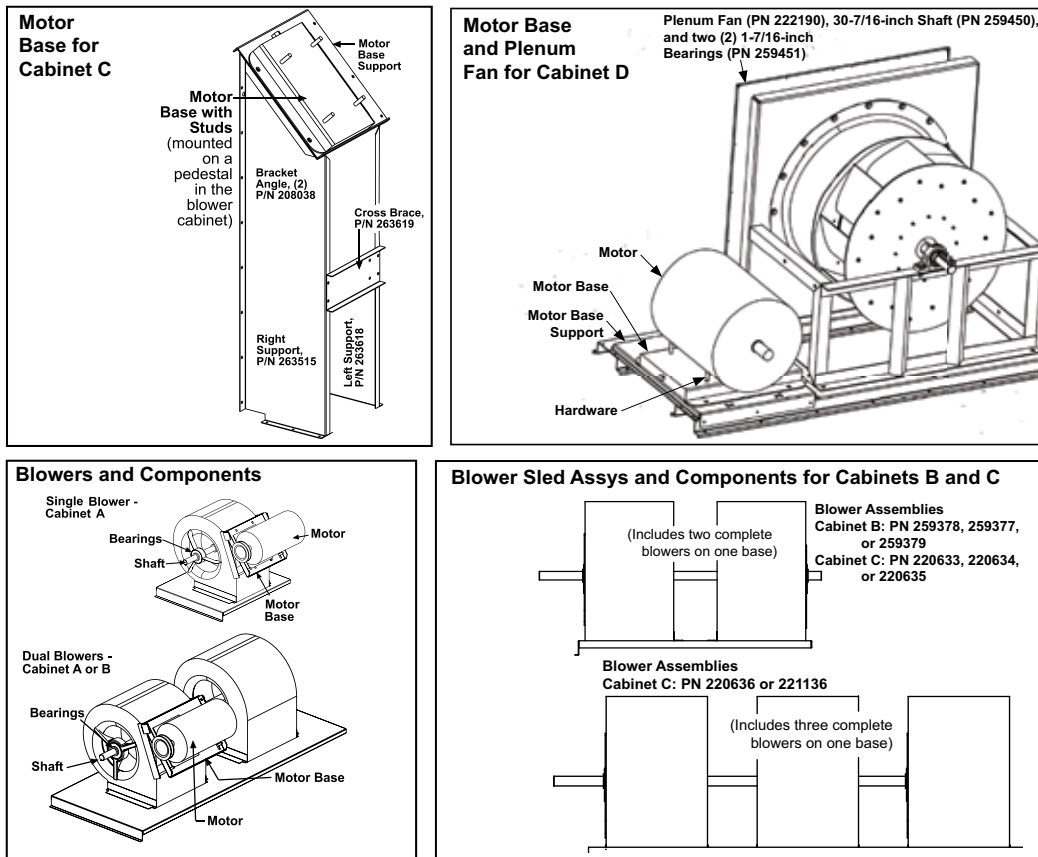


Figure 10. Motor-Mounting, Blower, and Plenum Fan Components
(Refer to [Table 17](#), [Table 18](#), [Table 19](#), and [Table 20](#))

MOTOR-MOUNTING, BLOWER, AND PLENUM FAN COMPONENTS—CONTINUED

BLOWER COMPONENTS—CABINETS A, B, AND C

Blower application is determined as follows (refer to [Table 19](#)):

- **Model RCB (cooling only models):** by cabinet size and model
- **Model RDB (cooling and reheat models):** by cabinet and model
- **Models RCDB and Rddb:** by gas heat section size
- **Models RECB and REDB:** by cabinet size and electric heat module size

Cabinet	A					B			C								
Unit Size	060	078	090	118	136	160	186	200	190	216	298	410					
Model	Blower Assembly PN*																
RCB (cooling only)	205528					259377 (replaces 221485)			220633		220635						
Cabinet	A					B			C								
Unit Size	102	114	142	162	184	210	222	224	236	248	262	272	288	354	370	468	482
Model	Blower Assembly PN*																
RDB (cooling and reheat)	205528					259377 (replaces 221485)			220633				220635				
Cabinet	A					B			C								
Heat Section Size	100	150	200	250	300	400	500	600	700								
Model	Blower Assembly PN*																
RCDB and Rddb	205527	205528	205529	259378 (replaces 221484)	259377 (replaces 221485)	220633		220634	220635	220636**							
Cabinet	A					B			C								
Model	Blower Assembly PN*																
RECB and REDB (refer to Table 5)	205528					221486			220635								

*Quantity for replacement blower assembly is one (1). Refer to [Table 20](#) for assembly components.

**Or PN 221136 with 7.5- or 10-HP and option AM13, AM14, AM15, AM16, AM17, AM18, AM19, AM20, AM21, AM22, AM23, AM24, AM25, AM26, AM27, or AM28.

Blower Assembly PN	Support Bracket	Bearing	Shaft		Blower Key	
	PN (Quantity)*		PN	Dimensions (Inches)	PN	Dimensions (Inches)
205527	—	10437 (2)	216651	1 x 17-3/8	19361	3/16 x 1-3/8
205528			216652	1 x 14-3/4		
205529			209156	1 x 33-1/4		
221484		10437	10120	1 x 39-1/4		
221485						
221486						
259377						
259378						
259379						
220633						
220634	221125	1-3/16 x 48-1/2				
220635	222916	112973	221126	1-3/16 x 54		
220636						
221136**	222916 (3)	112973 (3)	—			

*Quantity is one (1) unless otherwise indicated.

**Shaft is not offered with blower assembly PN 221136, which has dimensions of 1-7/16 x 54 inches.

PLENUM FAN COMPONENTS—CABINET D

The plenum fan assembly (PN 222190) is used only on cabinet D units. Replacement plenum fan assemblies (see [Figure 10](#)) come with a 30-7/16-inch shaft (PN 259450) and two (2) 1-7/16-inch bearings (PN 259451).